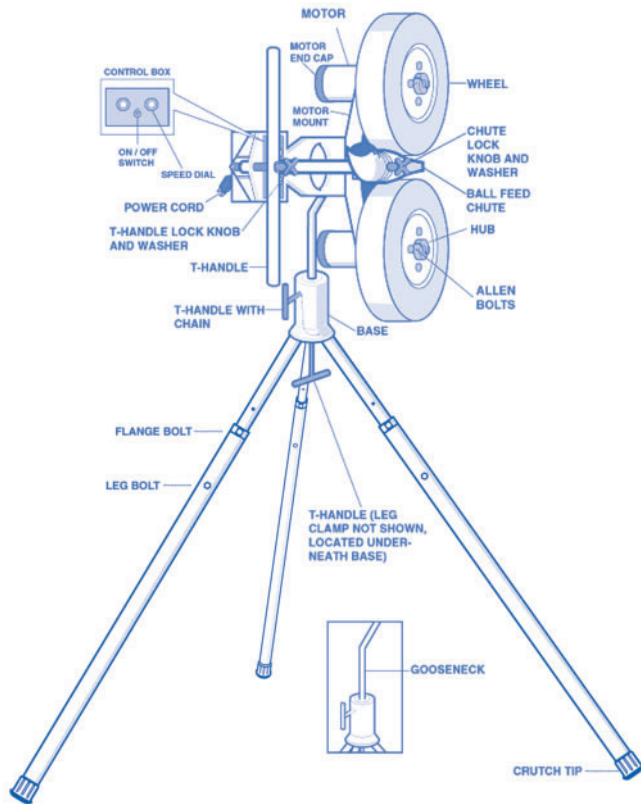


Nomenclature



JUGS Adjustable Cricket Bowling-Machine Legs

Includes the following:

- Three, sturdy, 41" steel hollow inner legs (which can be used alone to deliver balls at a standard JUGS Curveball height for baseball)
- Three, sturdy, 47" steel hollow outer legs
- Six 3/8" lock washers
- Three 3/8" x 2 1/4" hex bolts

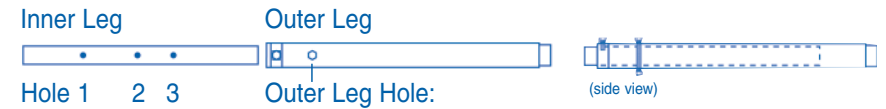
- Three 3/8"-16 hex nuts
- Three 3/8"-16 x 3/4" hex flange bolts
- Three crutch tips for indoor use

Features:

- Three height adjustments for different levels of play
- Retractable design for easy transportation
- Dual bolts for a safe and sturdy leg base

Set Up

Your JUGS Cricket machine is equipped with three adjustable legs for different levels of play.



• Position 1

Total Leg Length: 51 inches (1.30 meters)
 Delivery height in Vertical position: 60 inches (5 feet) (1.53 meters)
 Delivery height in Horizontal position: 67 inches (5 feet, 7 inches) (1.71 meters)

For **junior-level** play, slide inner legs all the way until hole #1 lines up with the outer leg hole (figure 1). Place one 3/8" lock washer on a 3/8" x 2 1/4" hex bolt and insert bolt through both legs. Place second 3/8" lock washer and one 3/8" hex nut on end of bolt and tighten. Tighten the flange bolt as well (see figure 4). Legs at the base are 57 inches apart.

• Position 2

Total Leg Length: 61 inches (1.55 meters)
 Delivery height in Vertical position: 68 inches (5 feet, 8 inches) (1.73 meters)
 Delivery height in Horizontal position: 75 inches (6 feet, 3 inches) (1.91 meters)

For **college-level** play, slide inner legs all the way until hole #2 lines up with the outer leg hole (figure 2). Place one 3/8" lock washer on a 3/8" x 2 1/4" hex bolt and insert bolt through both legs. Place second 3/8" lock washer and one 3/8" hex nut on end of bolt and tighten. Tighten the flange bolt as well (see figure 4). Legs at the base are 67 inches apart.

• Position 3

Total Leg Length: 67 inches (1.70 meters)
 Delivery height in Vertical position: 72 inches (6 feet) (1.83 meters)
 Delivery height in Horizontal position: 79 inches (6 feet, 7 inches) (2.01 meters)

For **pro-level** play, slide inner legs all the way until hole #3 lines up with the outer leg hole (figure 3). Place one 3/8" lock washer on a 3/8" x 2 1/4" hex bolt and insert bolt through both legs. Place second 3/8" lock washer and one 3/8" hex nut on end of bolt and tighten. Tighten the flange bolt as well (see figure 4). Legs at the base are 75 inches apart.

- Total height (surface to top of vertical wheel) is 90 inches (2.29 meters).
- Set of Cricket legs weighs 43 lbs (19.5 kilos).
- Use a 9/16-inch (14-mm) wrench for hex-head bolts and nuts.