



# Transport Wheel Kit Installation Instructions



**Note:** This kit is for use with JUGS Protector Series Screens ONLY.

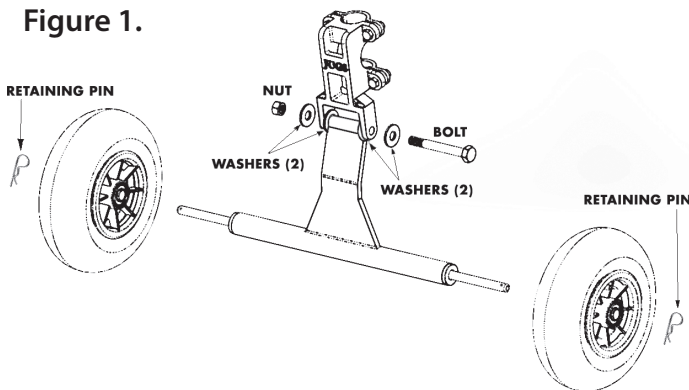
## 1. Assemble wheels to wheel bracket (figure 1.)

- Slide axel through wheel bracket.
- Slip wheels onto axel and insert retaining pins through the two holes at each end of the axel to secure wheels.

## 2. Join main screen bracket to wheel bracket assembly (figure 1.)

- Place washers between the top of the wheel bracket and the two lower arms of the main screen bracket.
- Place a washer on the 1/2" bolt and thread through both brackets to assemble the wheel bracket to the main screen bracket.
- Place washer and lock nut on opposite side of 1/2" bolt and tighten securely but just enough to allow rotation of the wheel bracket.

Figure 1.



## 3. Join main screen bracket to screen (figure 2.)

- Unfasten net at the bottom of the screen and undo vertical padding directly above the legs.

- Attach main bracket onto bare frame so that bolts will be located above and below the legs.
- Install top and bottom u-clamps on the inside of the screen as shown.
- Slip bolts through washer, then main screen bracket and through u-clamps.
- Thread lock nuts and washers onto bolts and tighten all bolts evenly for best results.

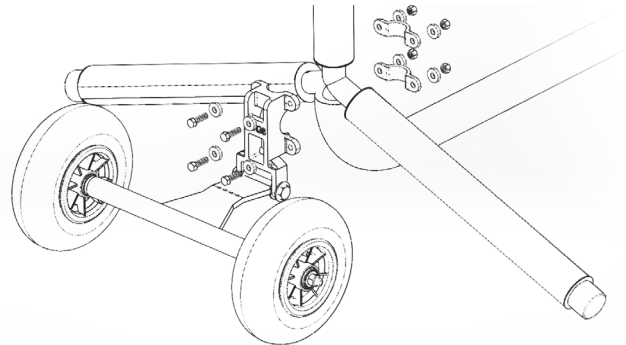
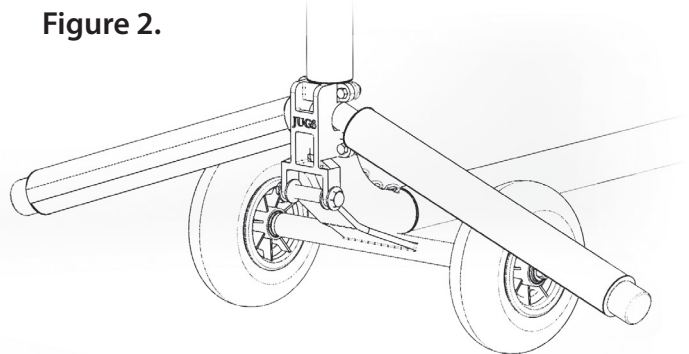


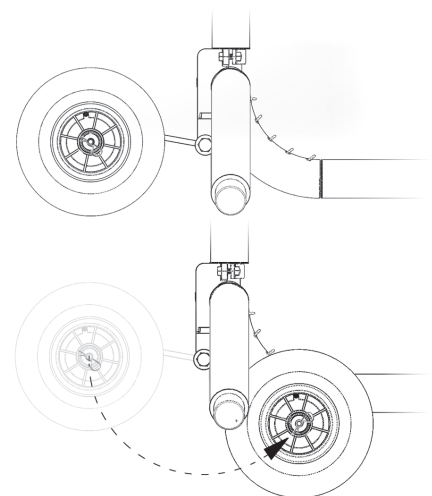
Figure 2.



## 4. Engage/Disengage transport wheel kit (figure 3.)

- To engage wheel kit, simply lift screen directly above the wheel kit and kick the wheels under the screen.
- For ease of transportation, lift screen from other side to move.

Figure 3.



**For more information please call: 1-800-547-6843  
or visit us online at [jugssports.com](http://jugssports.com)**